

REEFE

PUMPS AUSTRALIA

BETTER · FASTER · EASIER



JET PRESSURE PUMP

TECHNICAL DATA

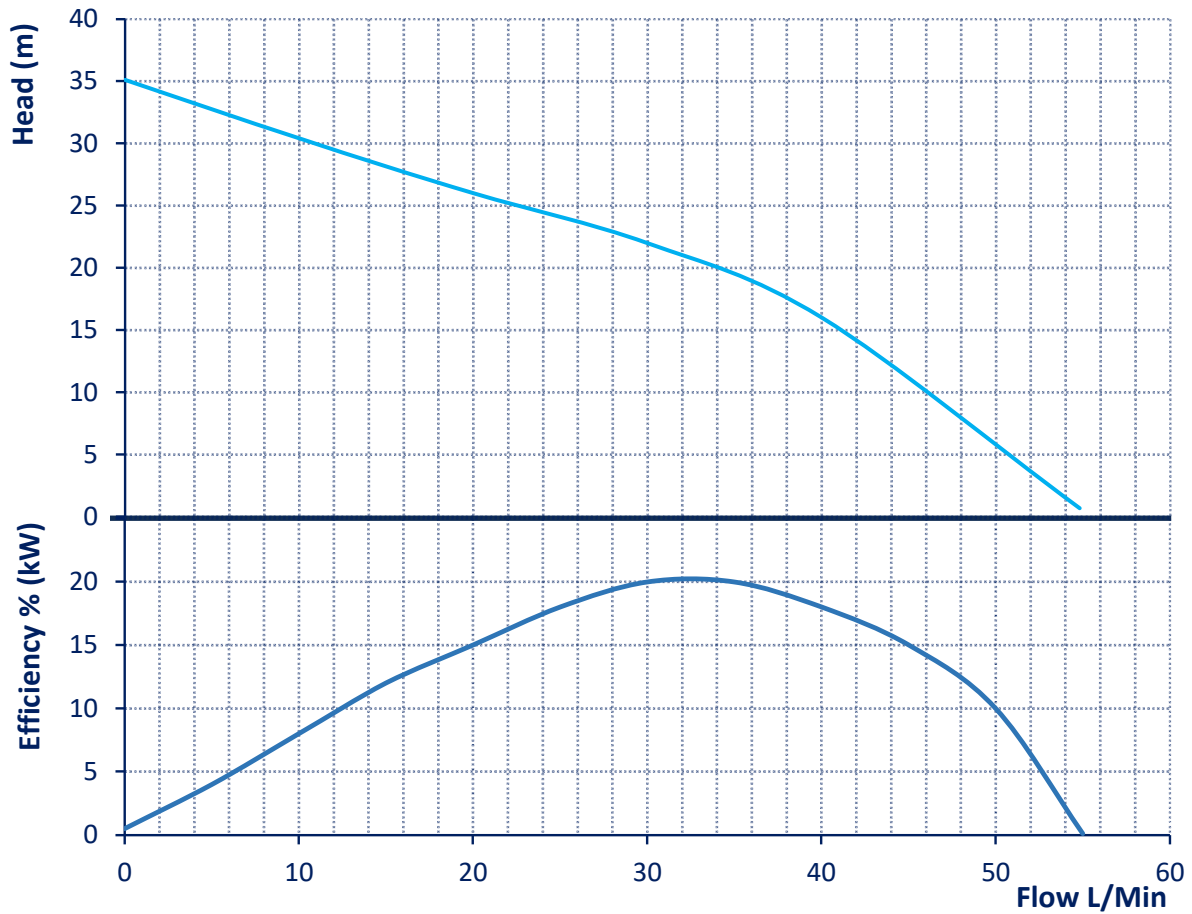
MODEL: PRJ65E
CODE: 20562

MAX HEAD 35M
MAX FLOW 55L/Min
MOTOR POWER 0.44kW
DISCHARGE SIZE 25MM, 1"



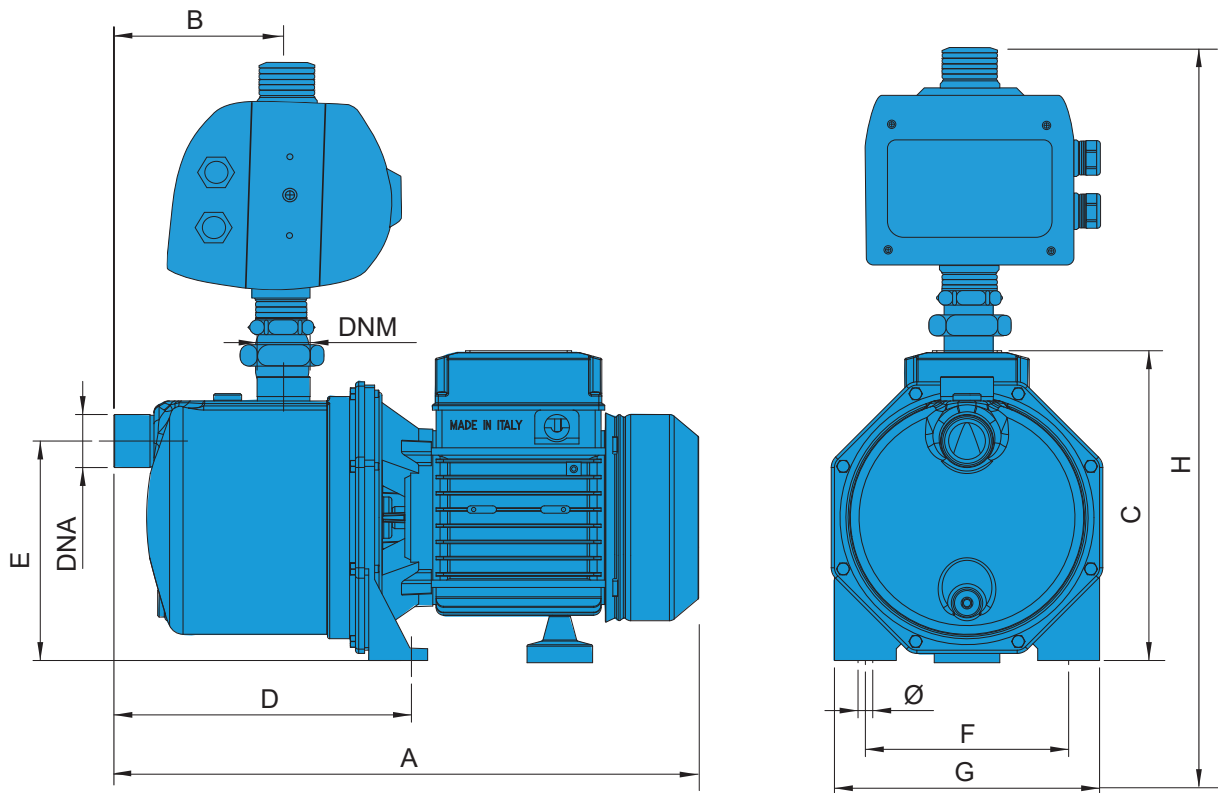
CHARACTERISTIC CURVE & PERFORMANCE DATA

JET PRESSURE PUMP PRJ65E



TYPE	Nominal Power (P2)		Input Power (P1)	Capacitor	Input Current	L/MIN	0	10	20	30	40	50
	W	HP				HEAD (M)	EFFICIENCY	SHAFT POWER P2				
Single Phase			Watt	µF	240V		0	14	35	-	-	-
PRJ65E	440	0.6	600	12.5	2.4A		0	0.98	1.02	1.03	1.03	0.99

DIMENSIONS & WEIGHT



JET PRESSURE PUMP PRJ65E

MODEL	DIMENSIONS (MM)										PACKING (MM)			WEIGHT (KG)		
	A	B	C	D	E	F	G	H	Ø	H	DNA	DNM	L		W	H
PRJ65E	380	105	200	206	150	140	180	309	9	96	1"	1"	400	200	400	7.4